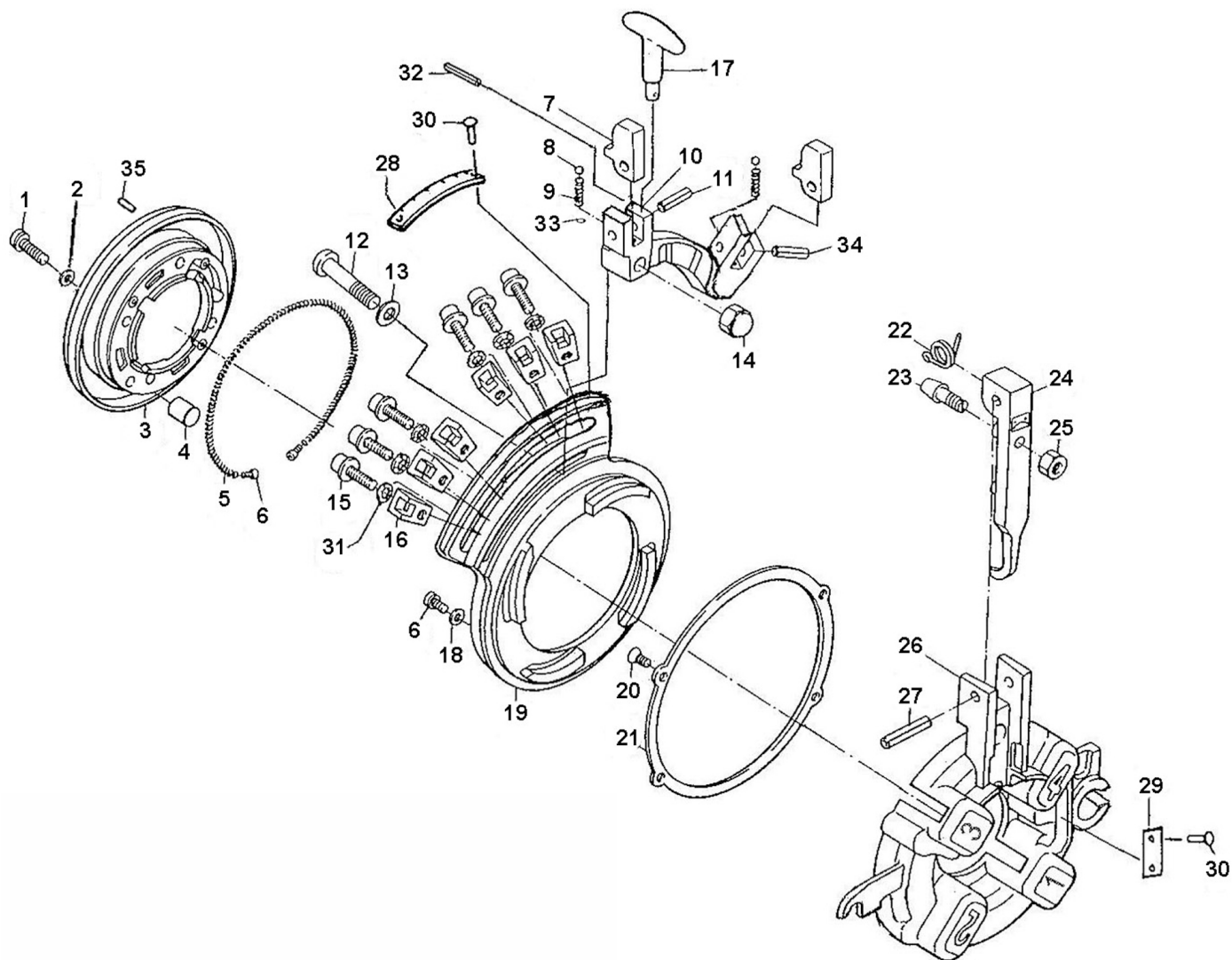




Automatic die head ROPOWER 50R
No. 56052_56053

dated: 09/17



	Größe/size			No. SS-steel	No. HSS-steel
BSPT R	1/2 - 2"	56052	1/4-3/8"	56369	56379
			1/2-3/4"	056370X	56380
			1-2"	056371X	---
NPT	1/2 - 2"	56053	1/4-3/8"	56372	---
			1/2-3/4"	56373	---
			1-2"	56374	---

Automatic die head ROPOWER 50R
No. 56052_56053

dated: 09/17

Item no.	Description	Article no.	Quantity
1	stop bolt 6x25	H98368	4
2	spring washer 6	81621	4
3	retaining ring	86025	1
4	parallel pin 12x10	86026	1
5	opening spring	86027	1
6	stop bolt 5x10	86028	3
7	location plate	86029	2
8	steel ball 3/16"	83485	2
9	location spring	83486	2
10	set block	86030	1
11	spring pin 6x20	84191	2
12	button bolt 10x45	86031	1
13	washer 10	86032	1
14	hex cap nut 10	86033	1
15	stop bolt M8x18	83899	6
16	location block M8	83900	6
17	T-handle	86482	1
18	spring washer 5	84094	1
19	cam plate M8 with scala	86037	1
20	cap screw 4x10	1500002191	8
21	ring plate	86039	1
22	lever spring	86040	1
23	set pin	86041	1
24	locking lever	86042	1
25	hex nut 10	86043	1
26	die head body	86044	1
27	spring pin 8x32	85791	1
28	scale plate 1/2 - 2" BSPT	86045	1
29	spring	86040	1
30	plate tack	83622	5
31	spring washer 8-1	83923	6
32	spring pin 4x16	86047	1
33	Spring washer M2	1500002194	1
34	Locking Sleeve 6x20	84191	1
35	ball cap	83601	1

IMPORTANT! To assure safety and reliability, repairs, maintenance and adjustment must be preformed by ROTHENBERGER Kelkheim or authorized Service-Centers. Always use Original-Service-Parts. Order your accessories and spare parts from your specialist retailer or using our Service After Sales hotline

Tel. +49 6195 - 800 **8200**

Fax: +49 6195 - 800 **7491**

✉ service@rothenberger.com